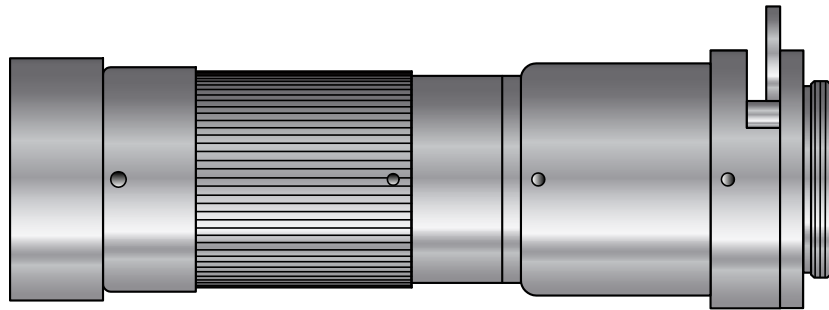


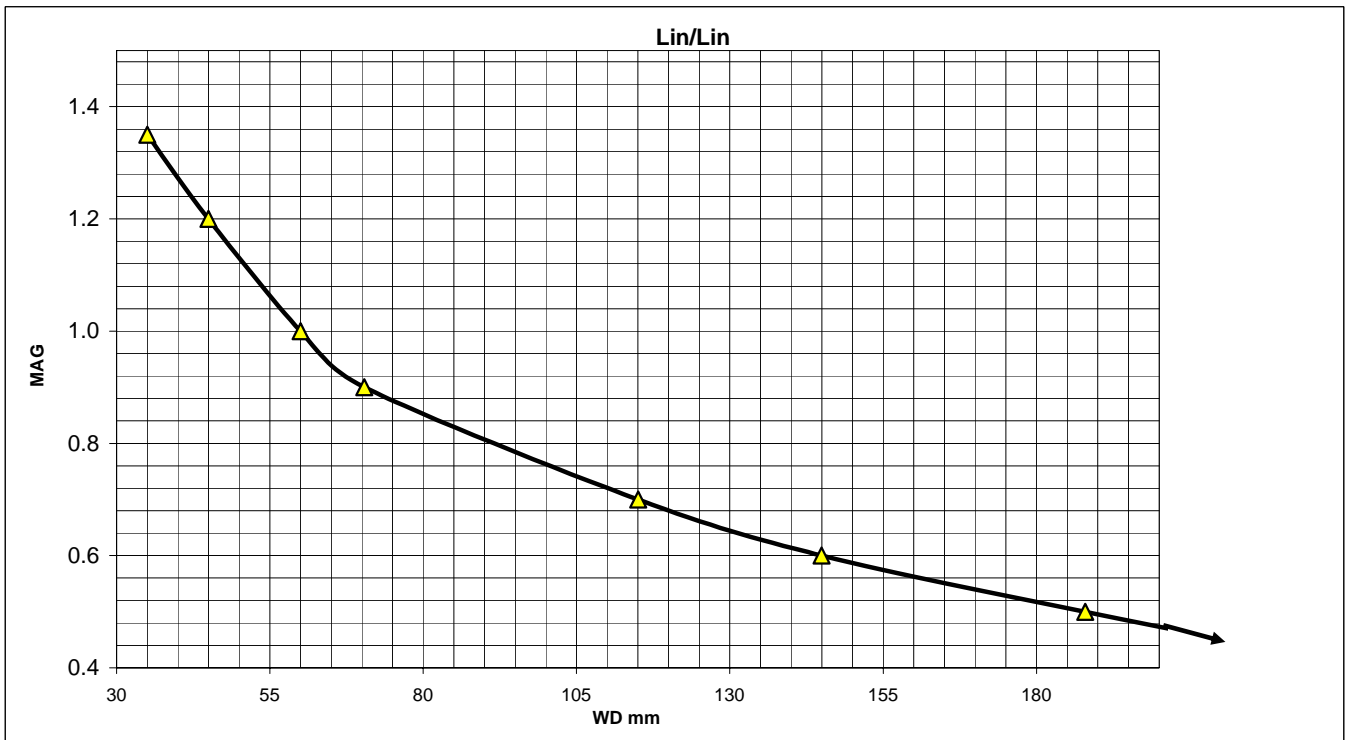
HDF-2 High Depth-of-Field Macroscope



HDF-2 OPTICAL DATA

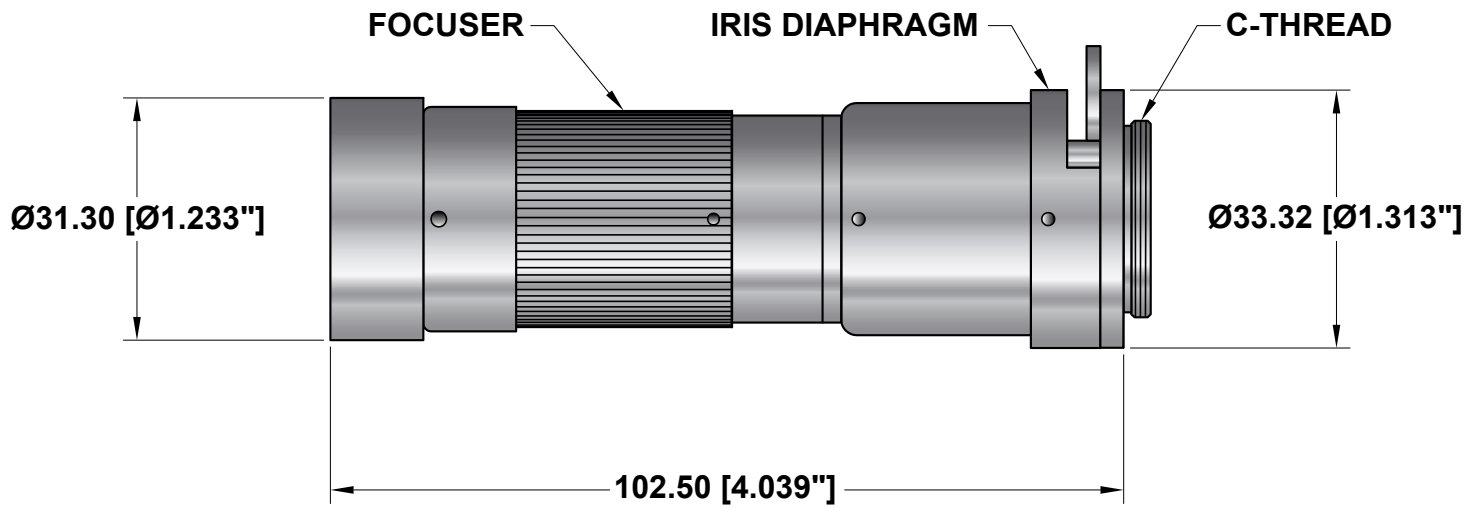
HDF-2	WD mm	35	45	60	70	115	145	188	234
	Mag	1.35	1.20	1.00	0.90	0.70	0.60	0.50	0.40
	FOV mm	4.7	5.3	6.4	7.1	9.1	10.7	12.8	16.0

*FOV based on 1/2" video format (6.4mm horizontally). See Video Format Page.



This drawing is for informational purposes only.
No other rights or privileges are granted or implied.

REVISIONS				
ZONE	REV	DESCRIPTION	DATE	APPROVED



**ALL DIM ARE mm
[inches] AND ARE FOR
REFERENCE ONLY AND
ARE SUBJECT TO
CHANGE.**

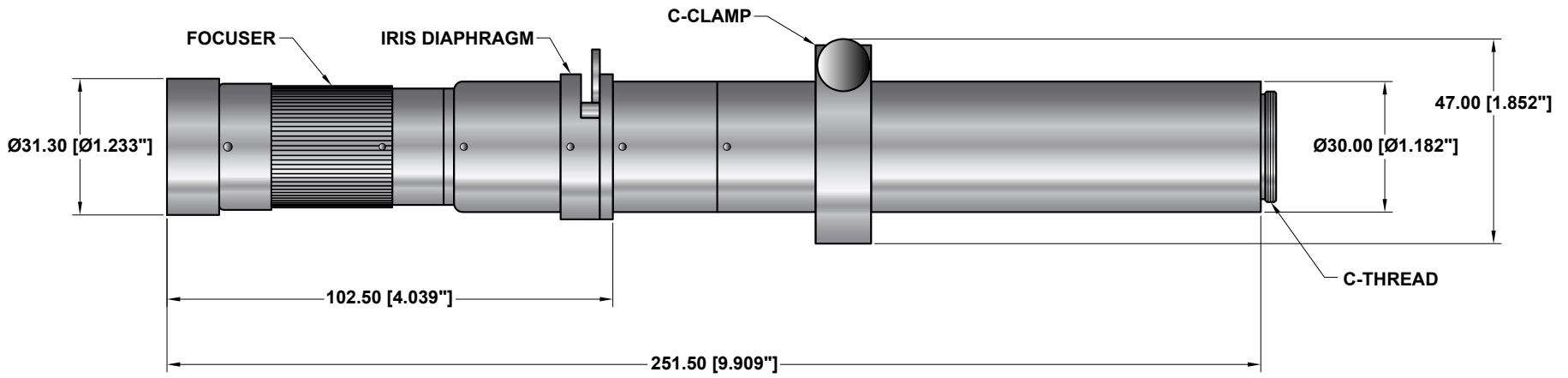
INFINITY Photo-Optical Company
2530 Frontier Ave., Boulder, CO 80301
303/440-4544 Fax 303/440-4144

HDF-2 MAIN BODY

Date: 03/05/03 MB	SIZE A	FSCM NO.	DWG NO. -	REV -
Modified:	SCALE NONE	SHEET -		

This drawing is for informational purposes only.
No other rights or privileges are granted or implied.

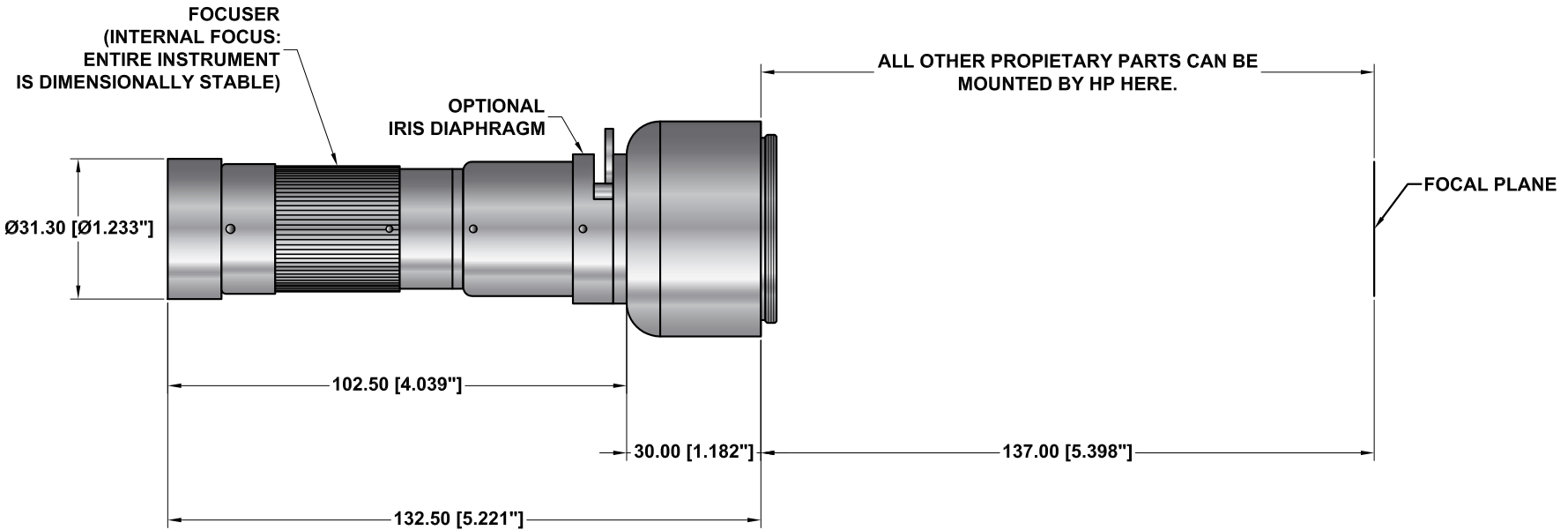
REVISIONS				
ZONE	REV	DESCRIPTION	DATE	APPROVED



<p>ALL DIM ARE mm [inches] AND ARE FOR REFERENCE ONLY AND ARE SUBJECT TO CHANGE.</p>	<p>INFINITY Photo-Optical Company 2530 Frontier Ave., Boulder, CO 80301 303/440-4544 Fax 303/440-4144</p>			
	<p>HDF-2 MAIN BODY WITH C-TUBES FOR C-MOUNT CAMERAS</p>			
Date: 04/01/03 MB	SIZE B	FSCM NO.	DWG NO. -	REV -
Modified:	SCALE NONE	SHEET -		

This drawing is for informational purposes only.
No other rights or privileges are granted or implied.

REVISIONS				
ZONE	REV	DESCRIPTION	DATE	APPROVED



ALL DIM ARE mm
[inches] AND ARE FOR
REFERENCE ONLY AND
ARE SUBJECT TO
CHANGE.

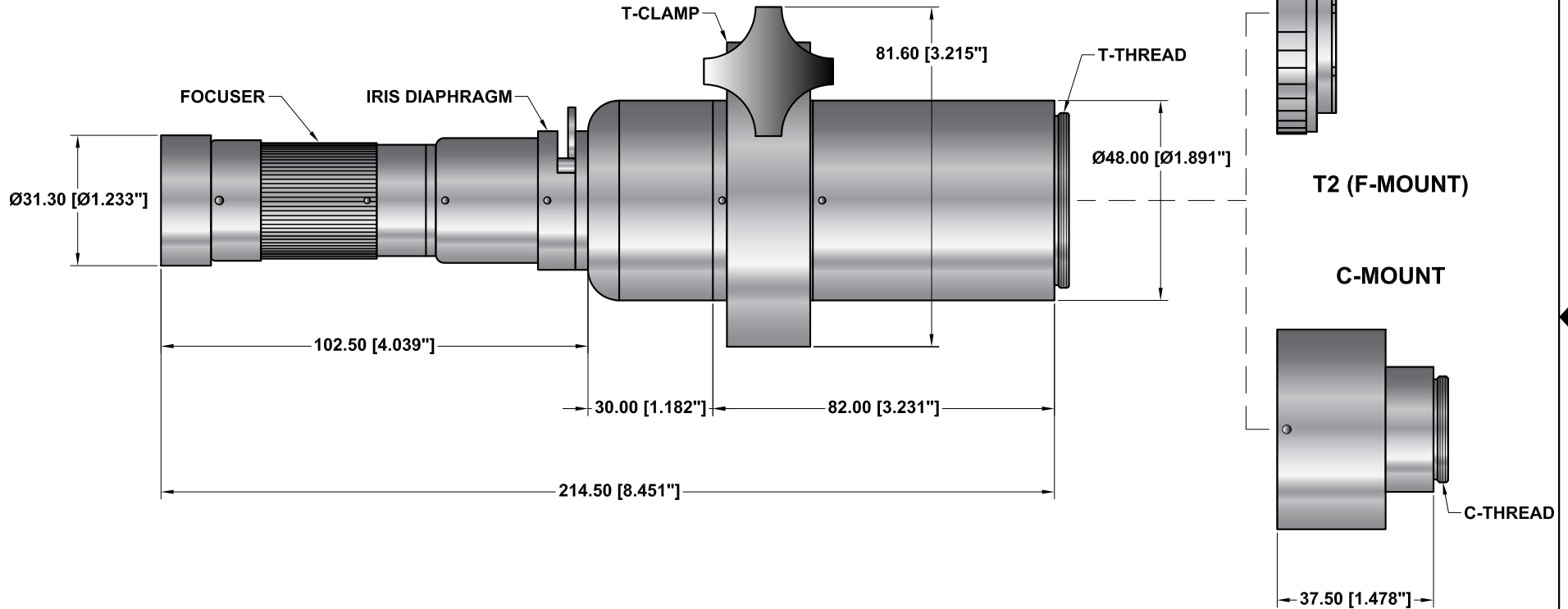
INFINITY Photo-Optical Company
2530 Frontier Ave., Boulder, CO 80301
303/440-4544 Fax 303/440-4144

**HDF-2 MAIN BODY WITH
STEP UP TO T-THREAD**

Date: 04/01/03 MB	SIZE B	FSCM NO.	DWG NO. -	REV -
Modified:	SCALE NONE	SHEET -		

This drawing is for informational purposes only.
No other rights or privileges are granted or implied.

REVISIONS				
ZONE	REV	DESCRIPTION	DATE	APPROVED



ALL DIM ARE mm
[inches] AND ARE FOR
REFERENCE ONLY AND
ARE SUBJECT TO
CHANGE.

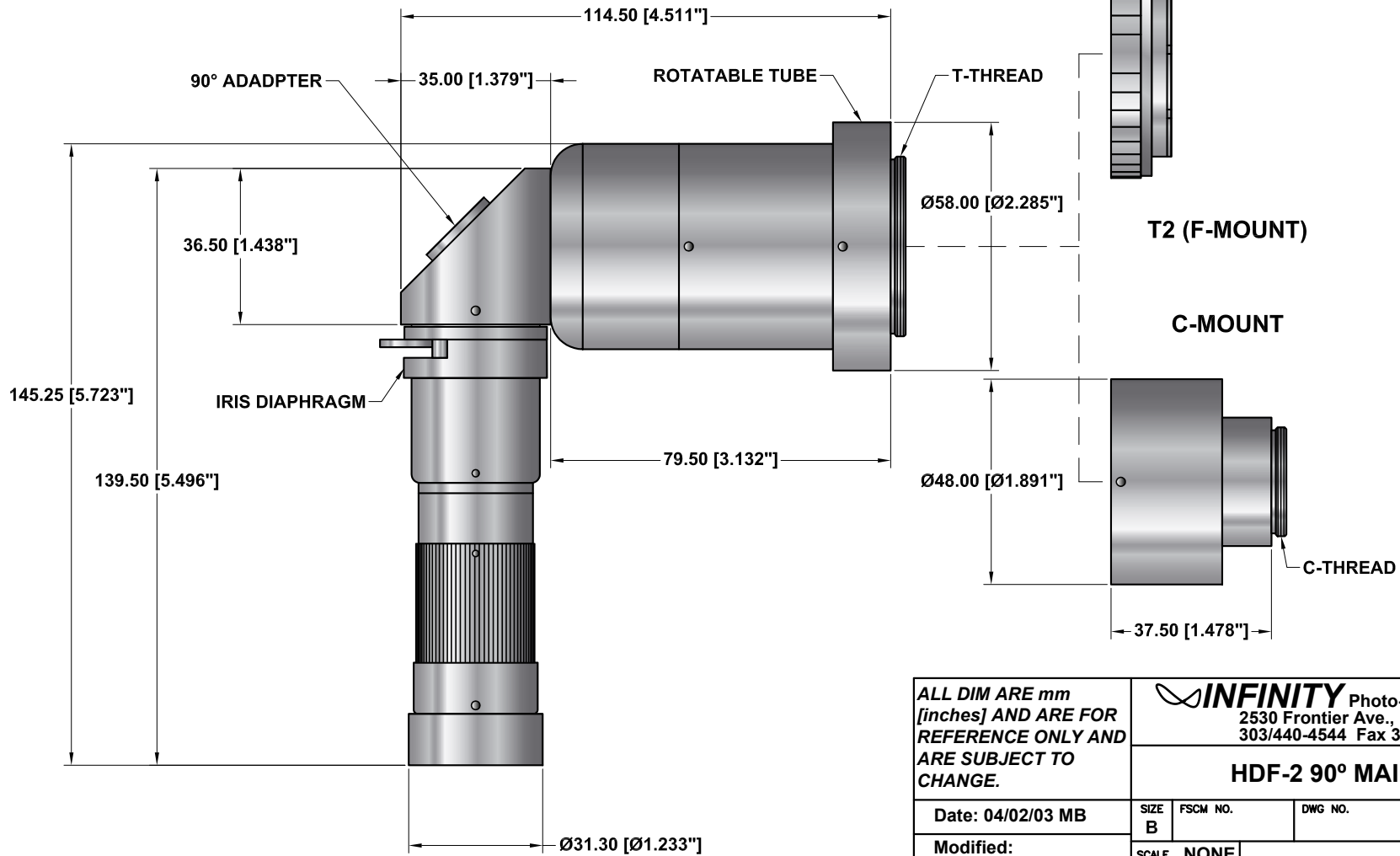
INFINITY Photo-Optical Company
2530 Frontier Ave., Boulder, CO 80301
303/440-4544 Fax 303/440-4144

**HDF-2 MAIN BODY WITH
ACCESSORIES**

Date: 04/01/03 MB	SIZE B	FSCM NO.	DWG NO. -	REV -
Modified:	SCALE NONE	SHEET -		

This drawing is for informational purposes only.
No other rights or privileges are granted or implied.

REVISIONS				
ZONE	REV	DESCRIPTION	DATE	APPROVED



ALL DIM ARE mm
[inches] AND ARE FOR
REFERENCE ONLY AND
ARE SUBJECT TO
CHANGE.

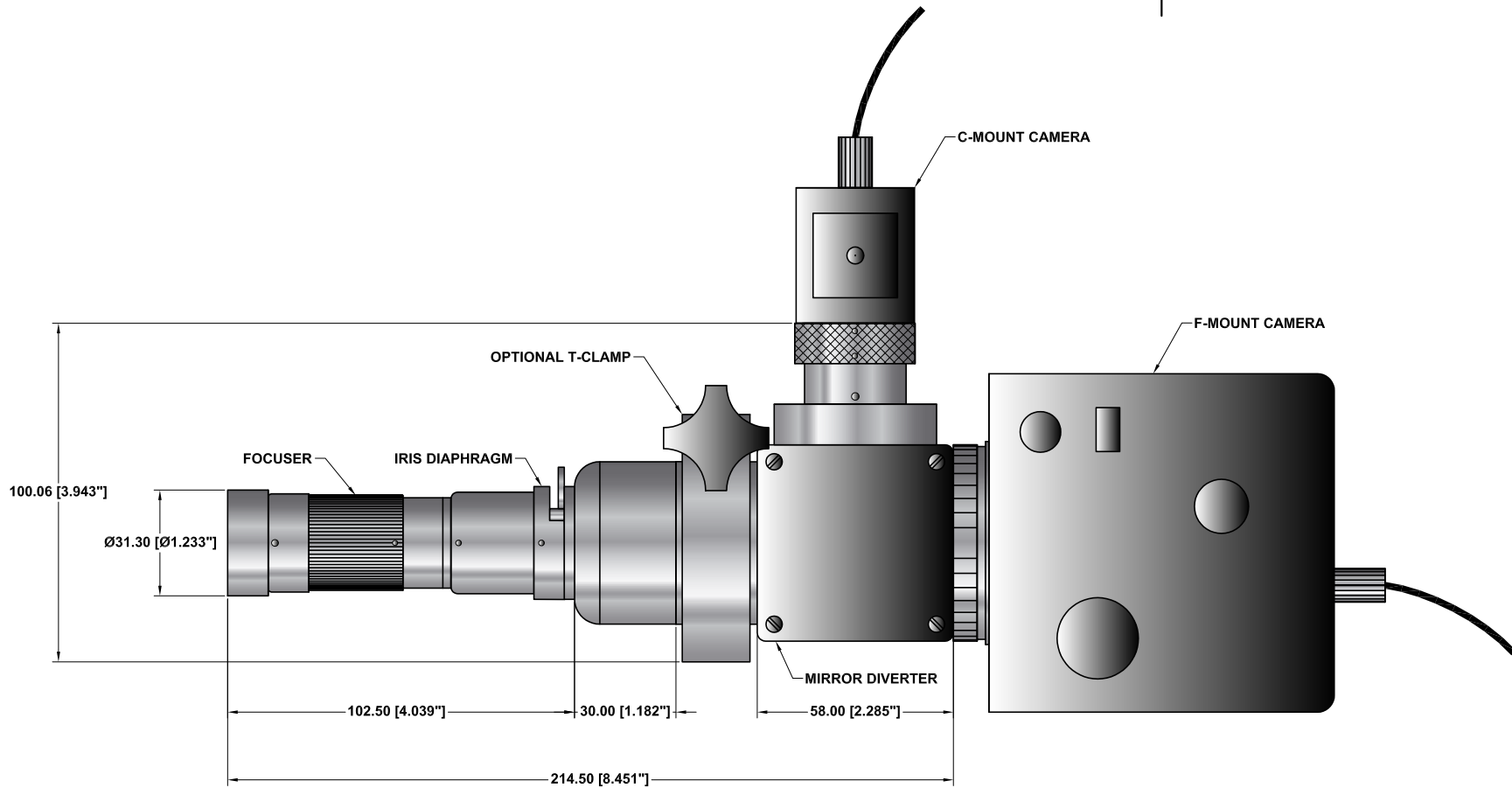
INFINITY Photo-Optical Company
2530 Frontier Ave., Boulder, CO 80301
303/440-4544 Fax 303/440-4144

HDF-2 90° MAIN BODY

Date: 04/02/03 MB	SIZE B	FSCM NO.	DWG NO.	REV -
Modified:	SCALE NONE	SHEET -		

This drawing is for informational purposes only.
No other rights or privileges are granted or implied.

REVISIONS				
ZONE	REV	DESCRIPTION	DATE	APPROVED



ALL DIM ARE mm
[inches] AND ARE FOR
REFERENCE ONLY AND
ARE SUBJECT TO
CHANGE.

INFINITY Photo-Optical Company
2530 Frontier Ave., Boulder, CO 80301
303/440-4544 Fax 303/440-4144

**HDF-2 DUAL PORT WITH C-MOUNT
AND F-MOUNT CAMERAS**

Date: 04/02/03 MB	SIZE C	FSCM NO.	DWG NO. -	REV -
Modified:	SCALE NONE	-	SHEET -	-

INFINITY PHOTO-OPTICAL COMPANY LIMITED WARRANTY

INFINITY PHOTO-OPTICAL COMPANY hereby warrants its products to be free from defects in workmanship or materials for the warranty period set forth below. INFINITY PHOTO-OPTICAL COMPANY, at its option, shall repair or replace the defective product without cost to the purchaser, and such repair or replacement shall be the full extent of this express limited warranty. INFINITY PHOTO-OPTICAL COMPANY shall not be liable for any other damages either direct or consequential.

This warranty is made to the original purchaser, and is effective only on new equipment purchased from INFINITY PHOTO-OPTICAL COMPANY, or a dealer authorized by INFINITY PHOTO-OPTICAL COMPANY to sell the product.

This warranty is valid only when the product is returned to the authorized dealer from whom it was purchased, or returned directly to INFINITY PHOTO-OPTICAL COMPANY, freight prepaid, with proof of date of purchase.

This warranty does not extend to any defect, malfunction or failure caused by misuse, abuse or the use of the product with equipment for which it may not have been intended. Any unauthorized repair voids this warranty.

The warranty period for all products manufactured by INFINITY PHOTO-OPTICAL COMPANY is five (5) years from date of original purchase. Parts or components made or sourced from other manufacturers shall be solely covered by that manufacturer's warranty.

The warranty contained herein is the only warranty made by INFINITY PHOTO-OPTICAL COMPANY. Any implied warranty of merchantability and/or fitness for a particular purpose is expressly excluded from this warranty. INFINITY PHOTO-OPTICAL COMPANY shall not be liable for any expense, loss, incidental or consequential damages which may arise in connection with the use of this equipment. Recovery under this warranty is limited to repair or replacement of the equipment as provided above.

INFINITY PHOTO-OPTICAL COMPANY reserves the right to modify designs, equipment and accessories without notice.