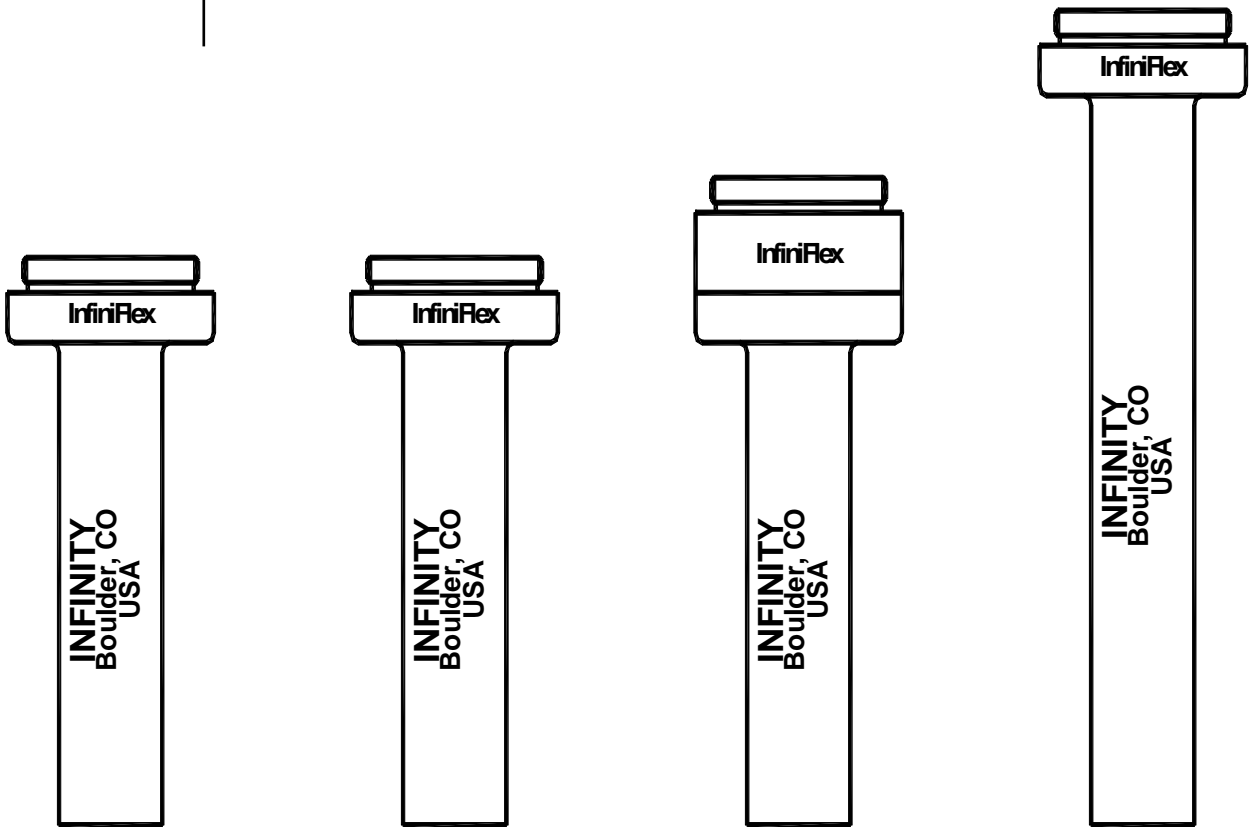


# PROXIMITY SERIES:

## InfiniFlex™



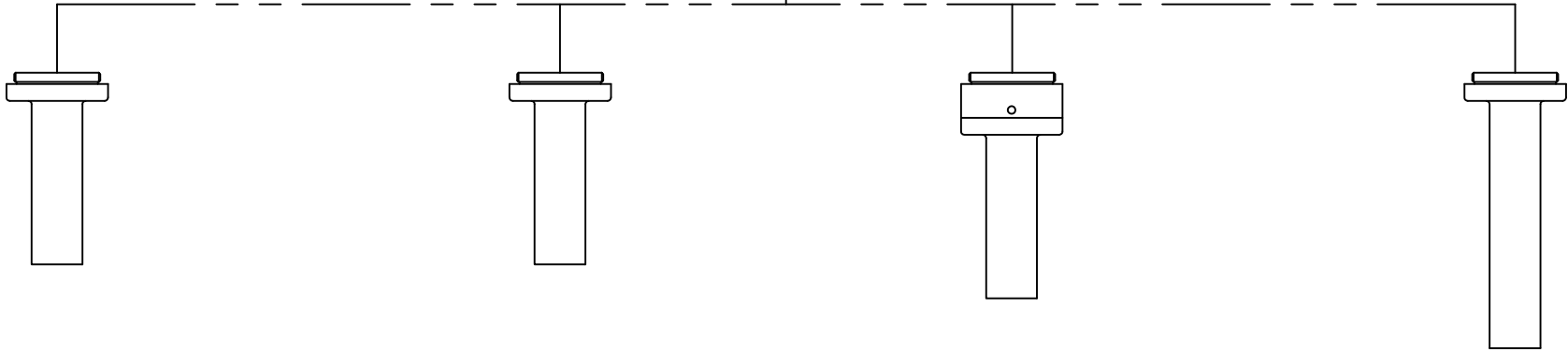
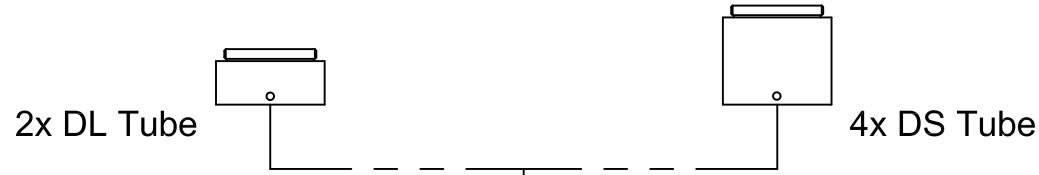
**INFINITY** Photo-Optical Company • Manufacturers of precision optical instruments.

2530 Frontier Ave., Boulder, CO 80301 • Tel: (303) 440-4544 • Fax: (303) 440-4144 • E-mail: info@infinity-usa.com • Web: www.infinity-usa.com

Copyright 2014 Infinity Photo-Optical Company. All Rights Reserved.

# InfiniFlex™ HD

Power Module Amplifier  
(optional)



20mm W.D./2x  
20mm W.D./4x w/DL Tube  
20mm W.D./8x w/DS Tube  
NA = 0.13

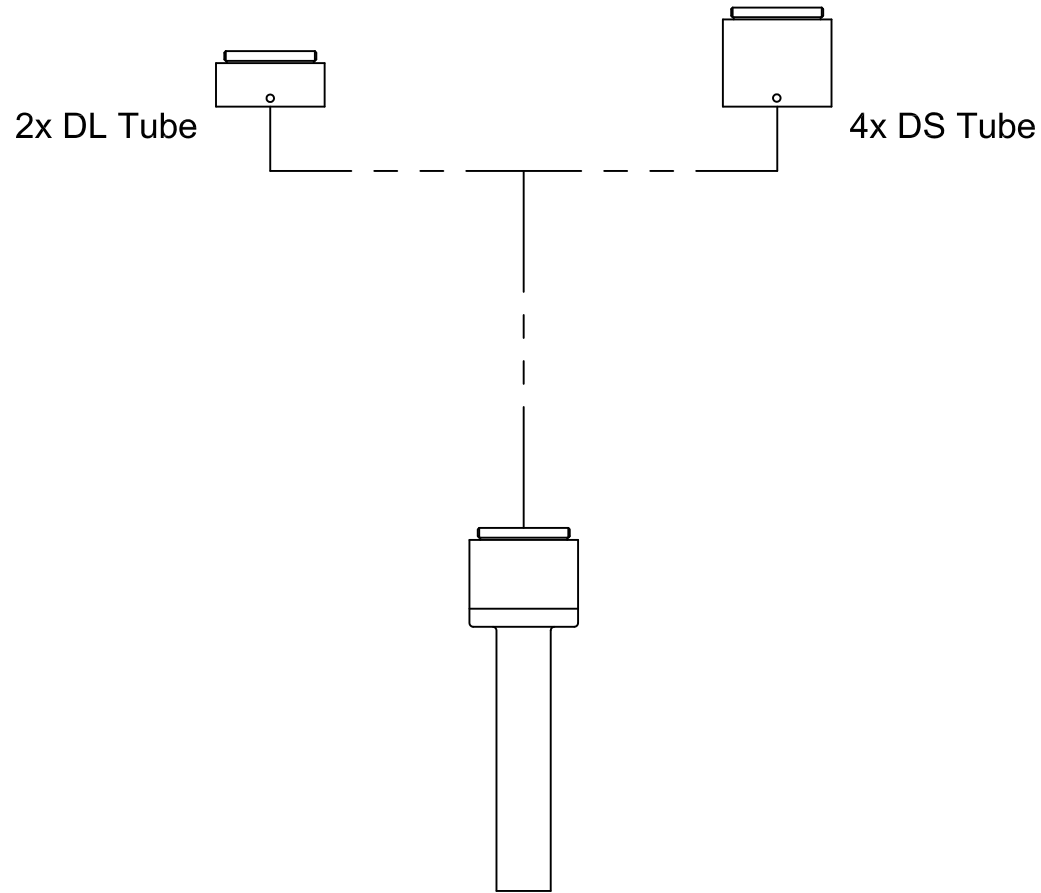
PLAN  
20mm W.D./2x  
20mm W.D./4x w/DL Tube  
20mm W.D./8x w/DS Tube  
NA = 0.13

20mm W.D./2.5x  
20mm W.D./5x w/DL Tube  
20mm W.D./10x w/DS Tube  
NA = 0.13

20mm W.D./3x  
20mm W.D./6x w/DL Tube  
20mm W.D./12x w/DS Tube  
NA = 0.13

# InfiniFlex™ XHD

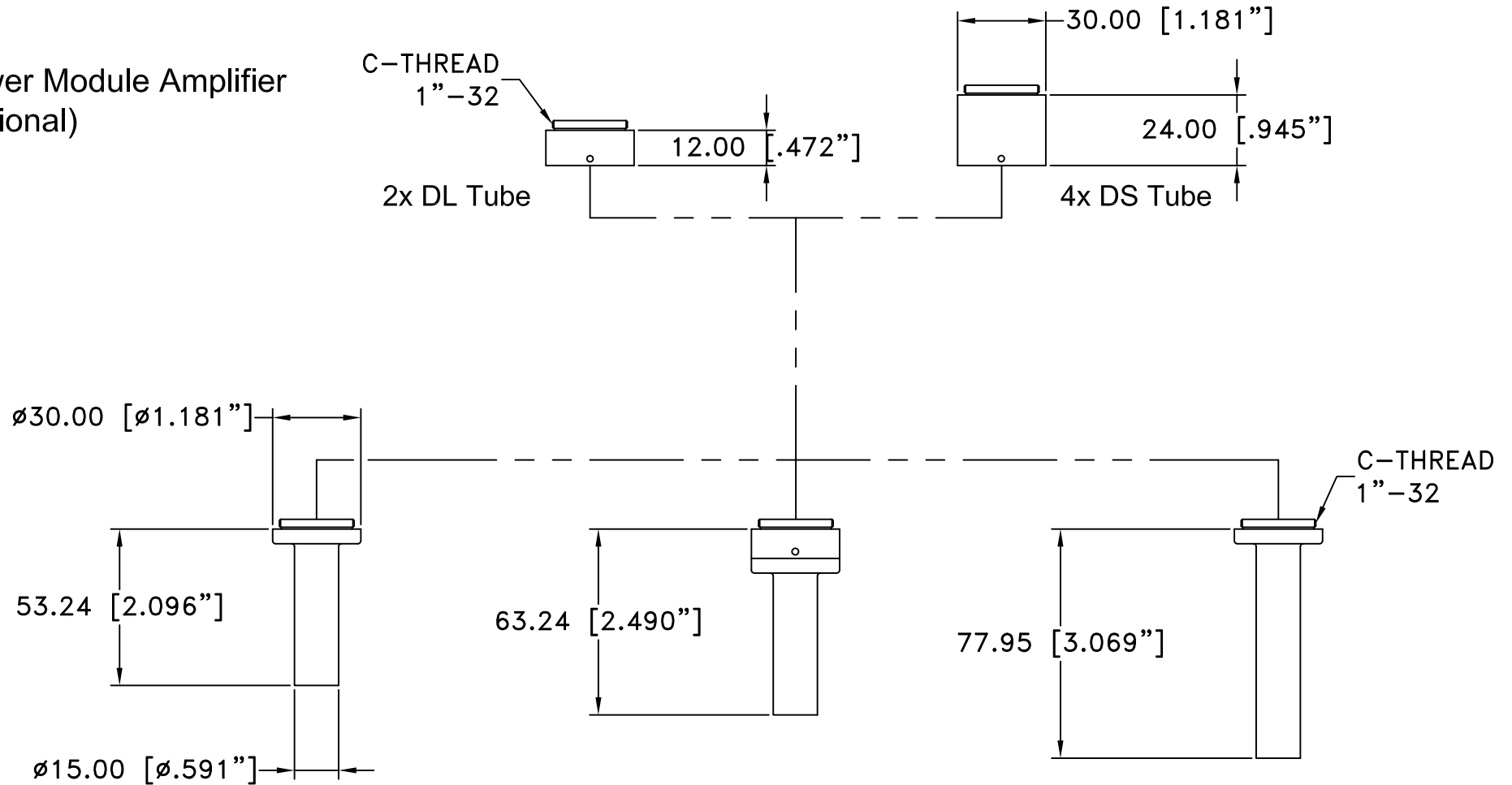
Power Module Amplifier  
(optional)



16mm W.D./4x  
16mm W.D./8x w/DL Tube  
16mm W.D./16x w/DS Tube  
NA = 0.18

# InfiniFlex™ HD Dimensions

Power Module Amplifier  
(optional)



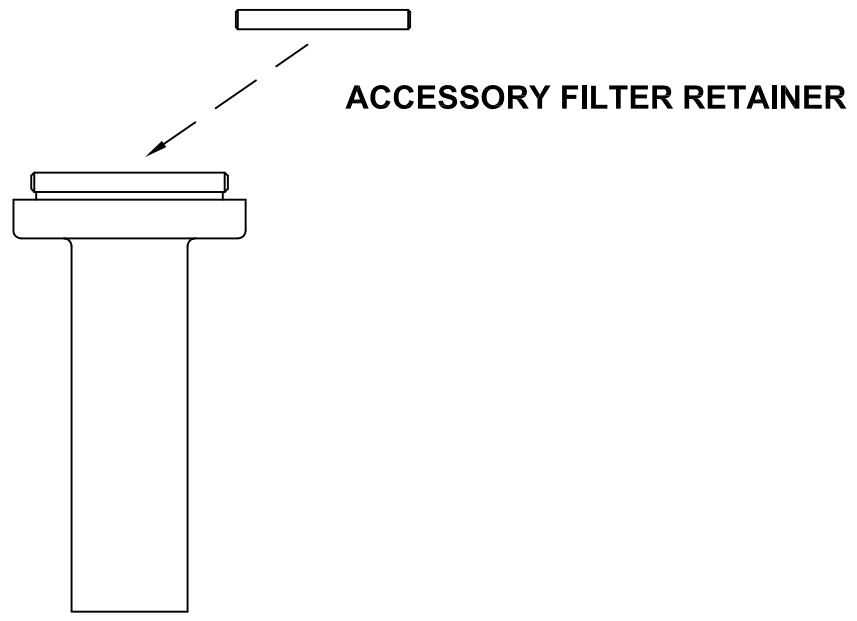
20mm W.D./2x  
20mm W.D./4x w/DL Tube  
20mm W.D./8x w/DS Tube  
NA = 0.13

20mm W.D./2.5x  
20mm W.D./5x w/DL Tube  
20mm W.D./10x w/DS Tube  
NA = 0.13

20mm W.D./3x  
20mm W.D./6x w/DL Tube  
20mm W.D./12x w/DS Tube  
NA = 0.13



REVISIONS				
ZONE	REV	DESCRIPTION	DATE	APPROVED



**This drawing is for informational purposes only. No other rights or privileges are granted or implied.**

**ALL DIM ARE mm [inches] AND ARE FOR REFERENCE ONLY AND ARE SUBJECT TO CHANGE.**

**INFINITY** Photo-Optical Company  
 2530 Frontier Ave., Boulder, CO 80301  
 303/440-4544 Fax 303/440-4144

**FILTER INSERTION**

<b>Date: 02/05/14 MB</b>		SIZE A	FSCM NO.	DWG NO. -	REV -
<b>Modified:</b>		SCALE <b>NONE</b>	SHEET <b>1 OF 1</b>		



## **INFINITY PHOTO-OPTICAL COMPANY LIMITED WARRANTY**

INFINITY PHOTO-OPTICAL COMPANY hereby warrants its products to be free from defects in workmanship or materials for the warranty period set forth below. INFINITY PHOTO-OPTICAL COMPANY, at its option, shall repair or replace the defective product without cost to the purchaser, and such repair or replacement shall be the full extent of this express limited warranty. INFINITY PHOTO-OPTICAL COMPANY shall not be liable for any other damages either direct or consequential.

This warranty is made to the original purchaser, and is effective only on new equipment purchased from INFINITY PHOTO-OPTICAL COMPANY, or a dealer authorized by INFINITY PHOTO-OPTICAL COMPANY to sell the product.

This warranty is valid only when the product is returned to the authorized dealer from whom it was purchased, or returned directly to INFINITY PHOTO-OPTICAL COMPANY, freight prepaid, with proof of date of purchase.

This warranty does not extend to any defect, malfunction or failure caused by misuse, abuse or the use of the product with equipment for which it may not have been intended. Any unauthorized repair voids this warranty.

The warranty period for all products manufactured by INFINITY PHOTO-OPTICAL COMPANY is five (5) years from date of original purchase. Parts or components made or sourced from other manufacturers shall be solely covered by that manufacturer's warranty.

The warranty contained herein is the only warranty made by INFINITY PHOTO-OPTICAL COMPANY. Any implied warranty of merchantability and/or fitness for a particular purpose is expressly excluded from this warranty. INFINITY PHOTO-OPTICAL COMPANY shall not be liable for any expense, loss, incidental or consequential damages which may arise in connection with the use of this equipment. Recovery under this warranty is limited to repair or replacement of the equipment as provided above.

INFINITY PHOTO-OPTICAL COMPANY reserves the right to modify designs, equipment and accessories without notice.