

LG Docket No. 575086: 122-14 WO  
"Dynamic Microscope with Combined Optical Focus and Aberrational Correction"  
H. Jay MARGOLIS  
Filed November 24, 2015  
Sheet 1 of 13

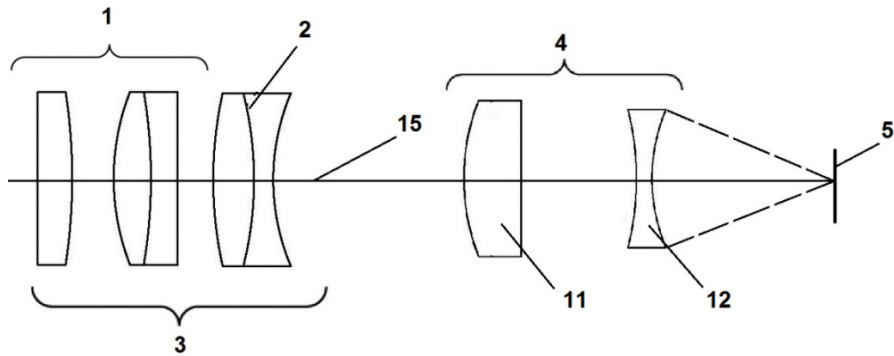


FIGURE 1A

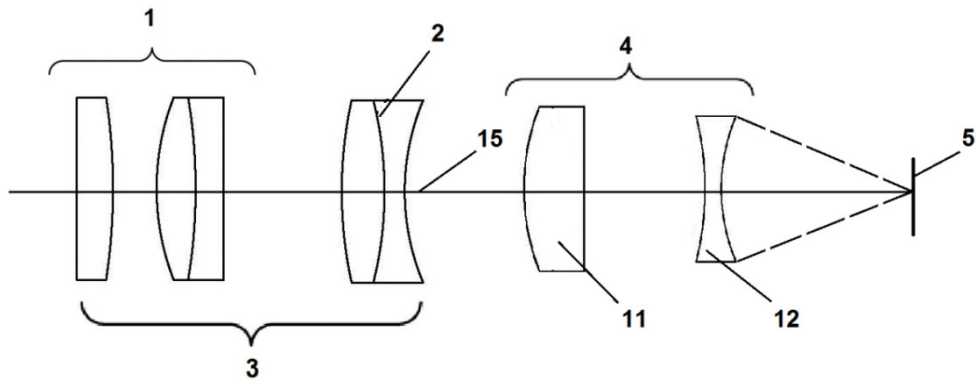


FIGURE 1B

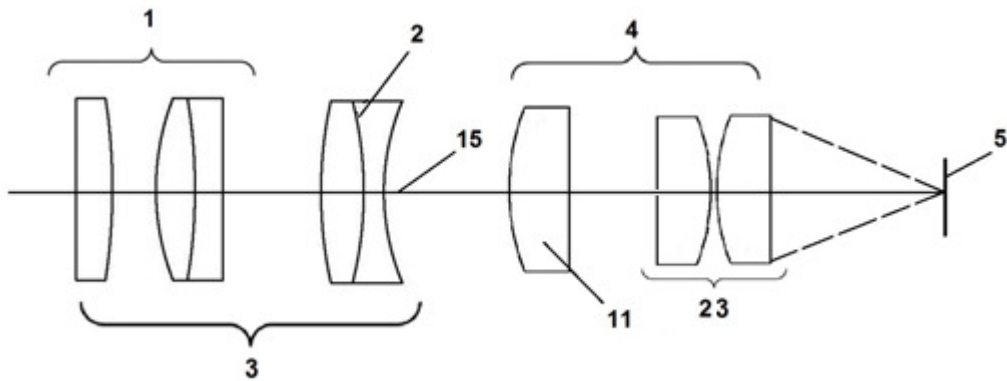


FIGURE 1C

LG Docket No. 575086: 122-14 WO  
"Dynamic Microscope with Combined Optical Focus and Aberrational Correction"  
H. Jay MARGOLIS  
Filed November 24, 2015  
Sheet 2 of 13

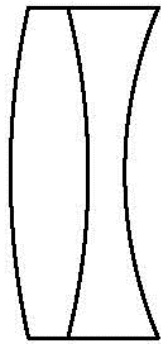


FIGURE 2A

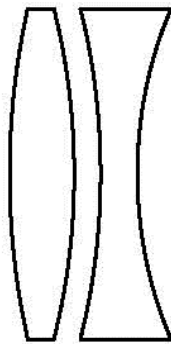


FIGURE 2B

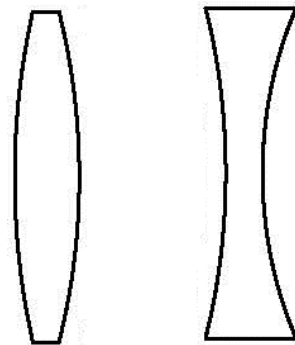


FIGURE 2C

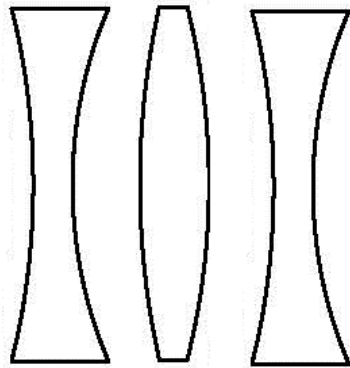


FIGURE 2D

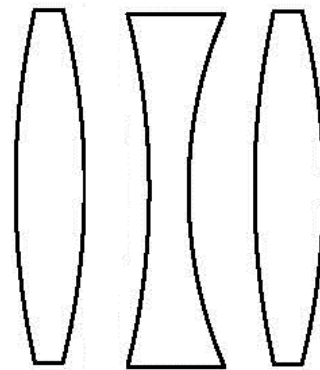


FIGURE 2E

LG Docket No. 575086: 122-14 WO  
"Dynamic Microscope with Combined Optical Focus and Aberrational Correction"  
H. Jay MARGOLIS  
Filed November 24, 2015  
Sheet 3 of 13

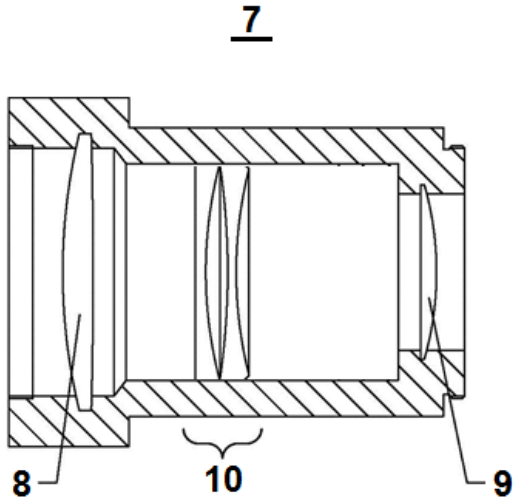


FIGURE 3A

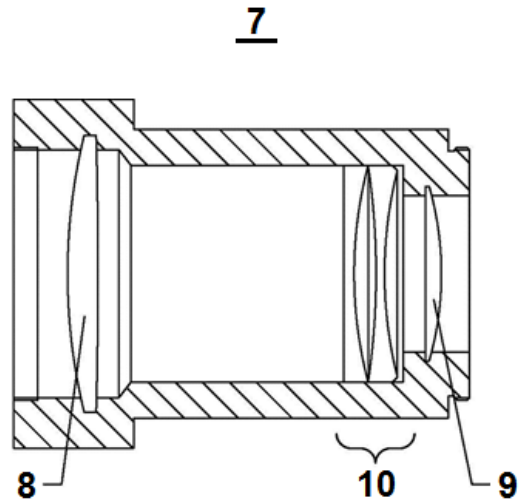


FIGURE 3B

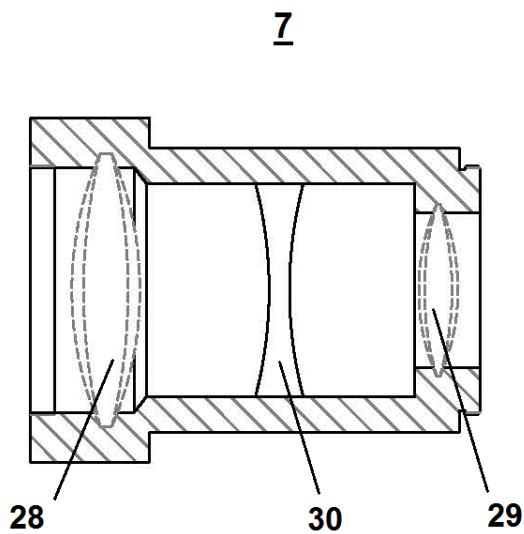


FIGURE 3C

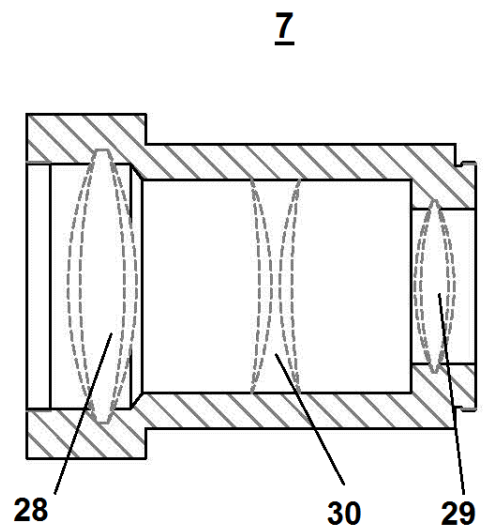


FIGURE 3D

LG Docket No. 575086: 122-14 WO  
"Dynamic Microscope with Combined Optical Focus and Aberrational Correction"  
H. Jay MARGOLIS  
Filed November 24, 2015  
Sheet 4 of 13

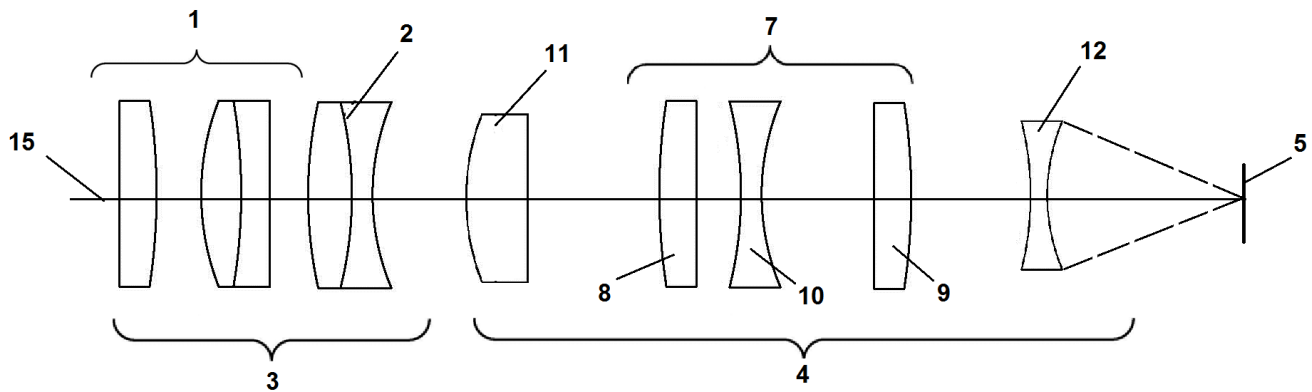


FIGURE 4A

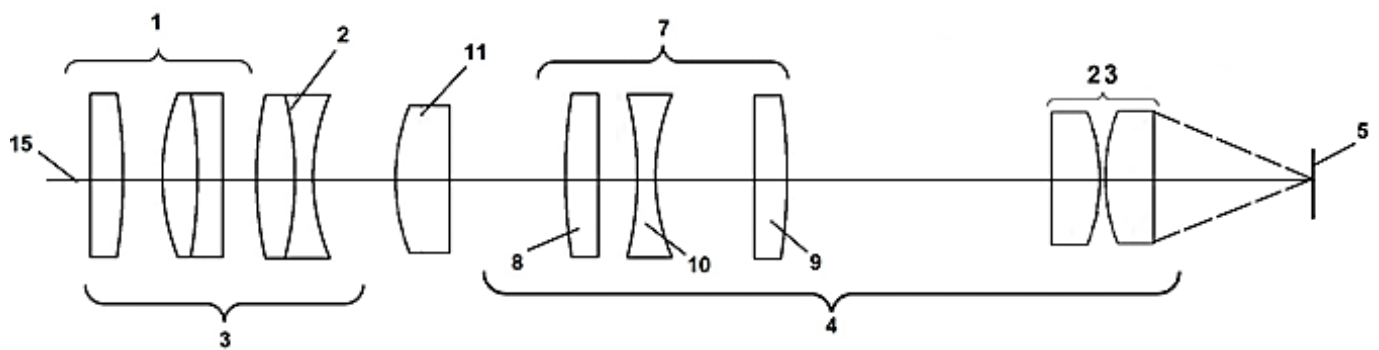


FIGURE 4B

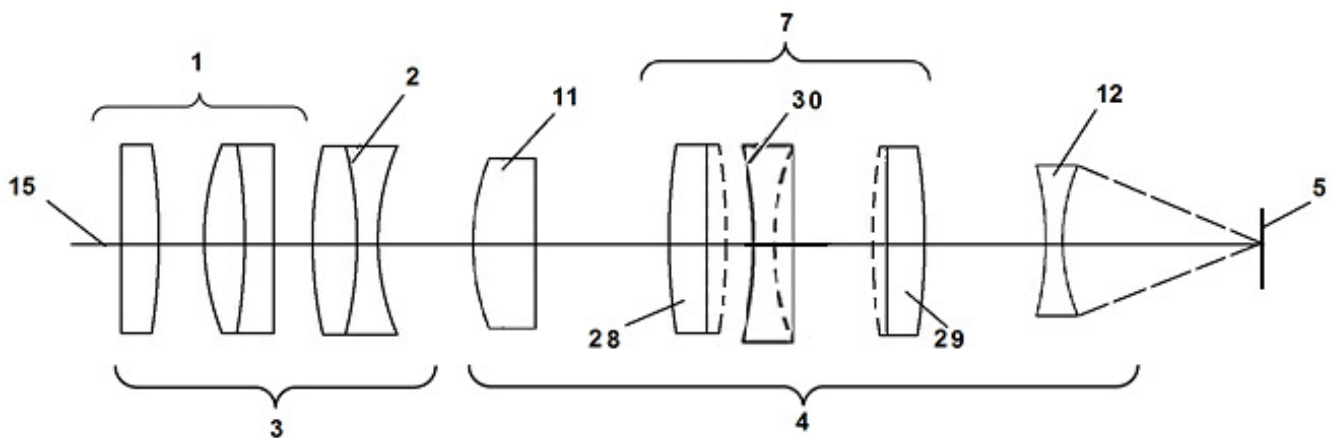


FIGURE 4C

LG Docket No. 575086: 122-14 WO  
"Dynamic Microscope with Combined Optical Focus and Aberrational Correction"  
H. Jay MARGOLIS  
Filed November 24, 2015  
Sheet 5 of 13

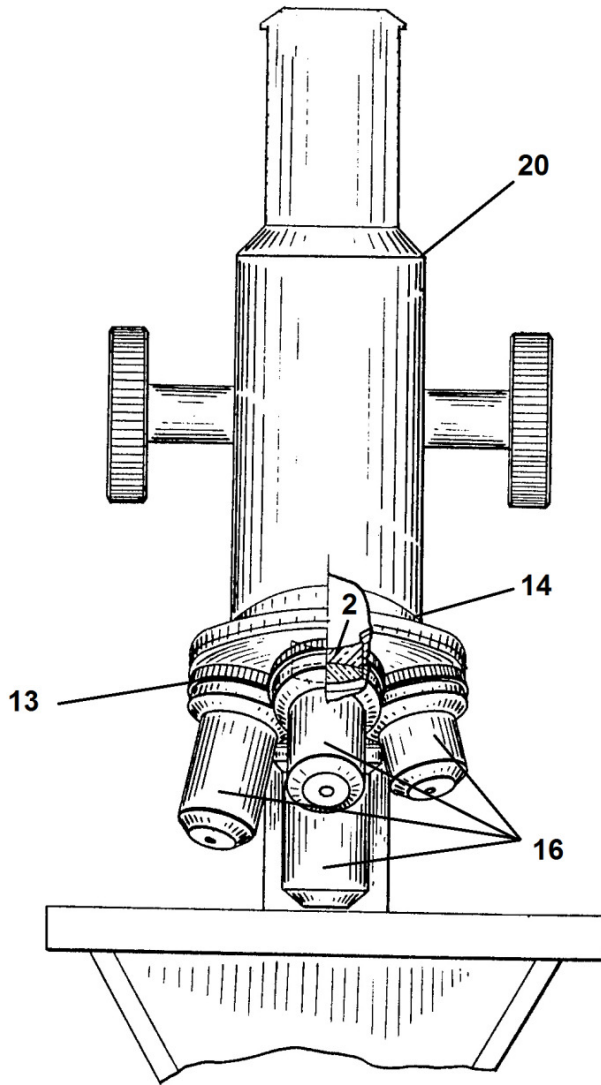


FIGURE 5

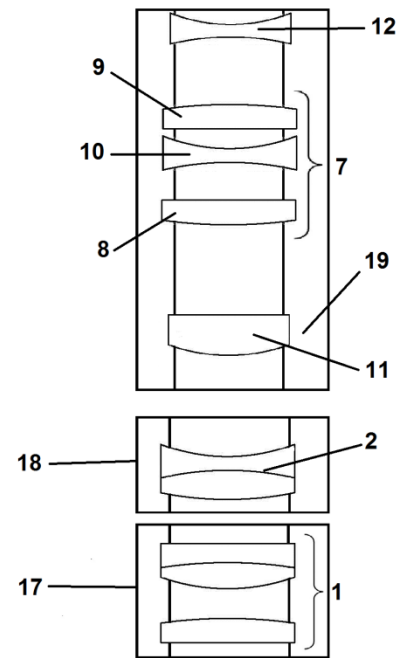
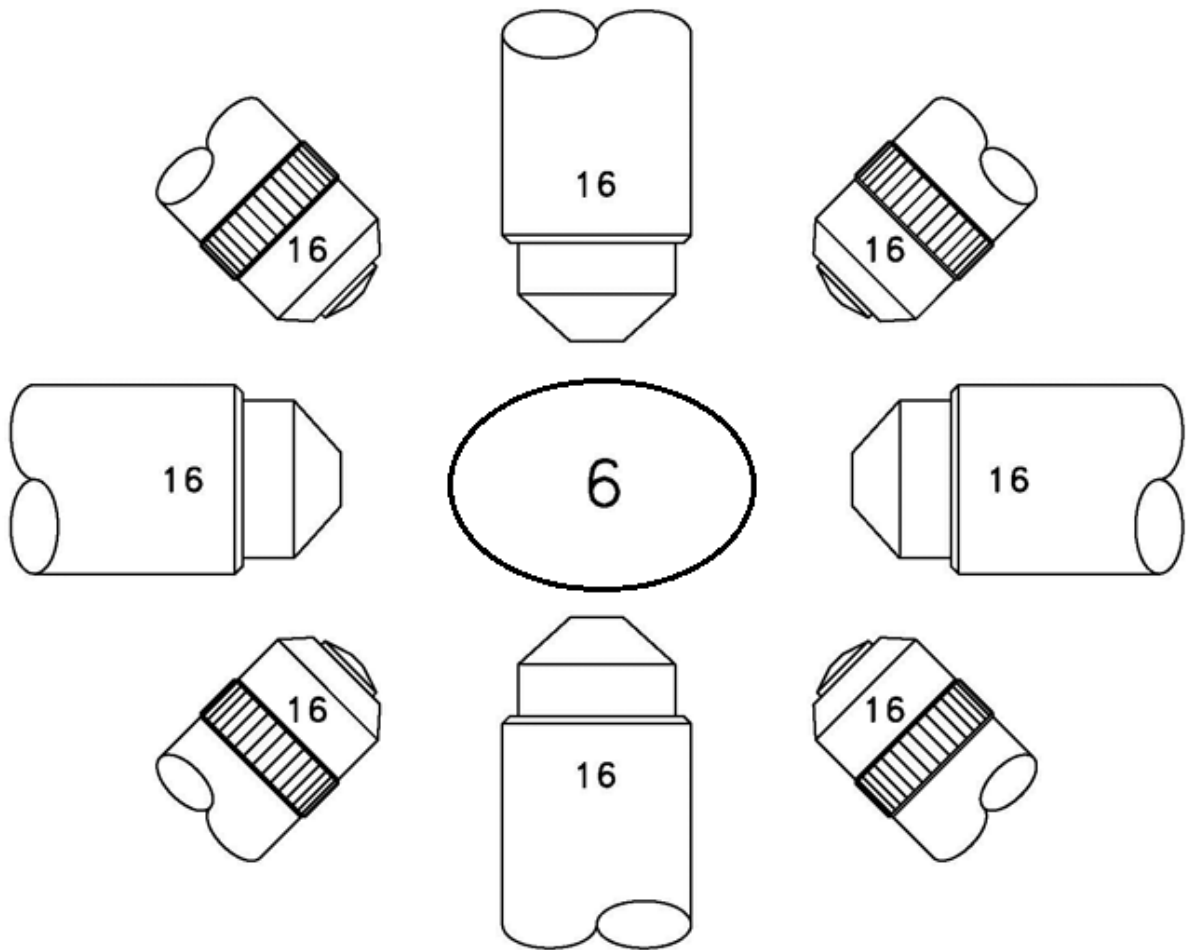


FIGURE 6

**LG Docket No. 575086: 122-14 WO**  
**“Dynamic Microscope with Combined Optical Focus and Aberrational Correction”**  
**H. Jay MARGOLIS**  
**Filed November 24, 2015**  
**Sheet 6 of 13**



**FIGURE 7**

LG Docket No. 575086: 122-14 WO  
"Dynamic Microscope with Combined Optical Focus and Aberrational Correction"  
H. Jay MARGOLIS  
Filed November 24, 2015  
Sheet 7 of 13

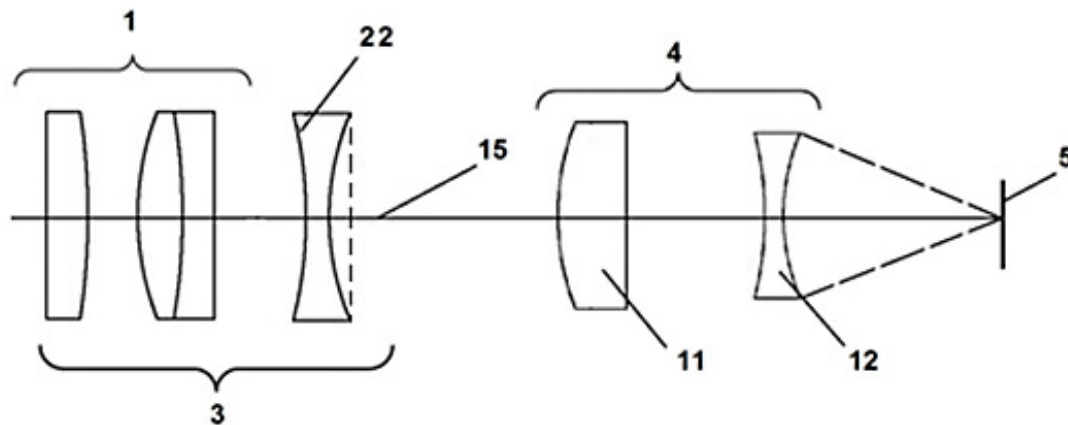


FIGURE 8A

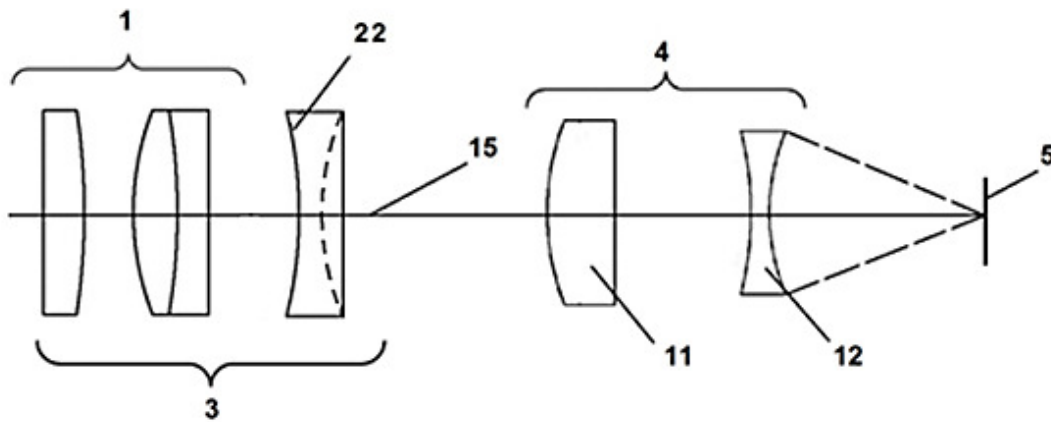


FIGURE 8B

LG Docket No. 575086: 122-14 WO  
"Dynamic Microscope with Combined Optical Focus and Aberrational Correction"  
H. Jay MARGOLIS  
Filed November 24, 2015  
Sheet 8 of 13

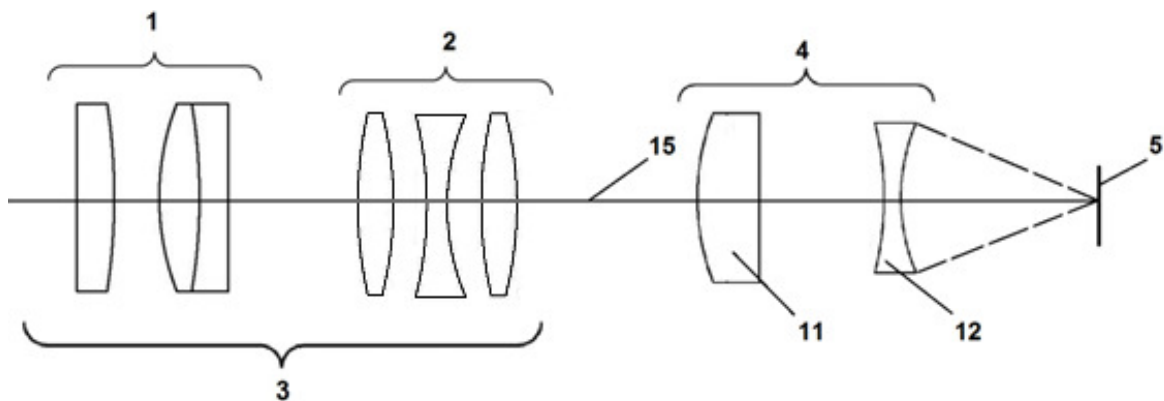


FIGURE 9A

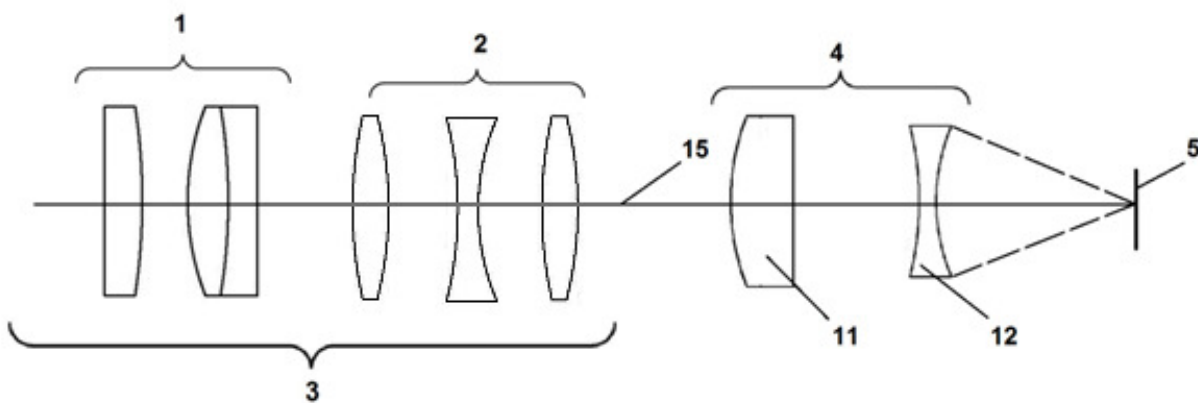


FIGURE 9B

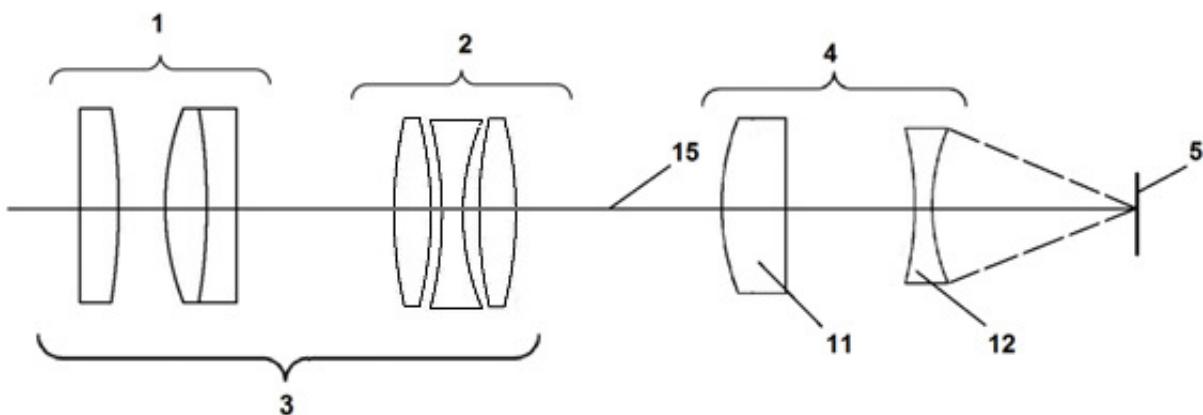


FIGURE 9C



LG Docket No. 575086: 122-14 WO  
"Dynamic Microscope with Combined Optical Focus and Aberrational Correction"  
H. Jay MARGOLIS  
Filed November 24, 2015  
Sheet 9 of 13

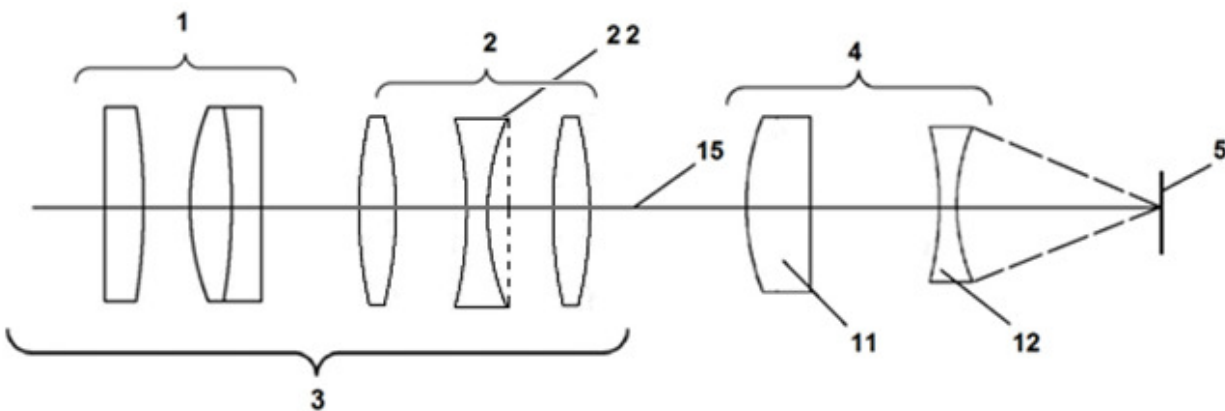


FIGURE 10A

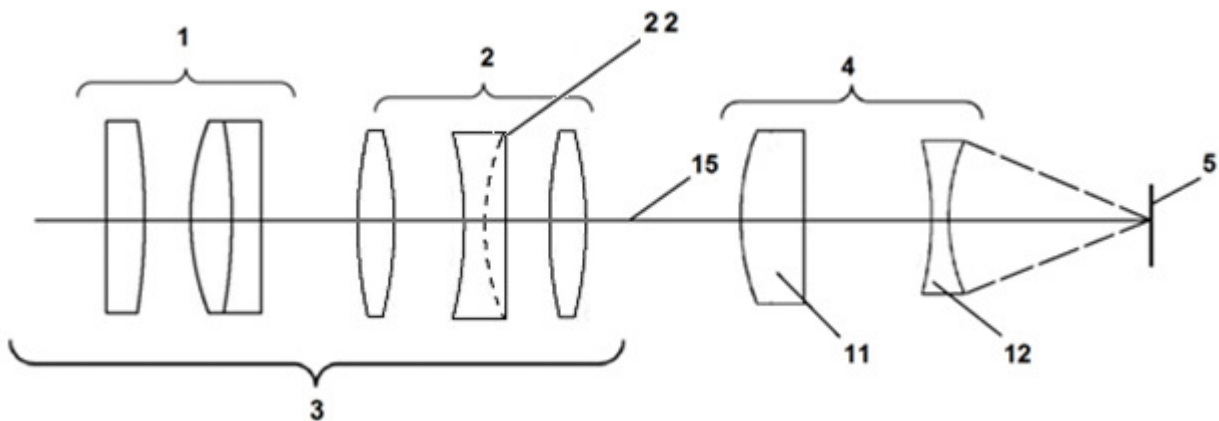


FIGURE 10B

LG Docket No. 575086: 122-14 WO  
"Dynamic Microscope with Combined Optical Focus and Aberrational Correction"  
H. Jay MARGOLIS  
Filed November 24, 2015  
Sheet 10 of 13

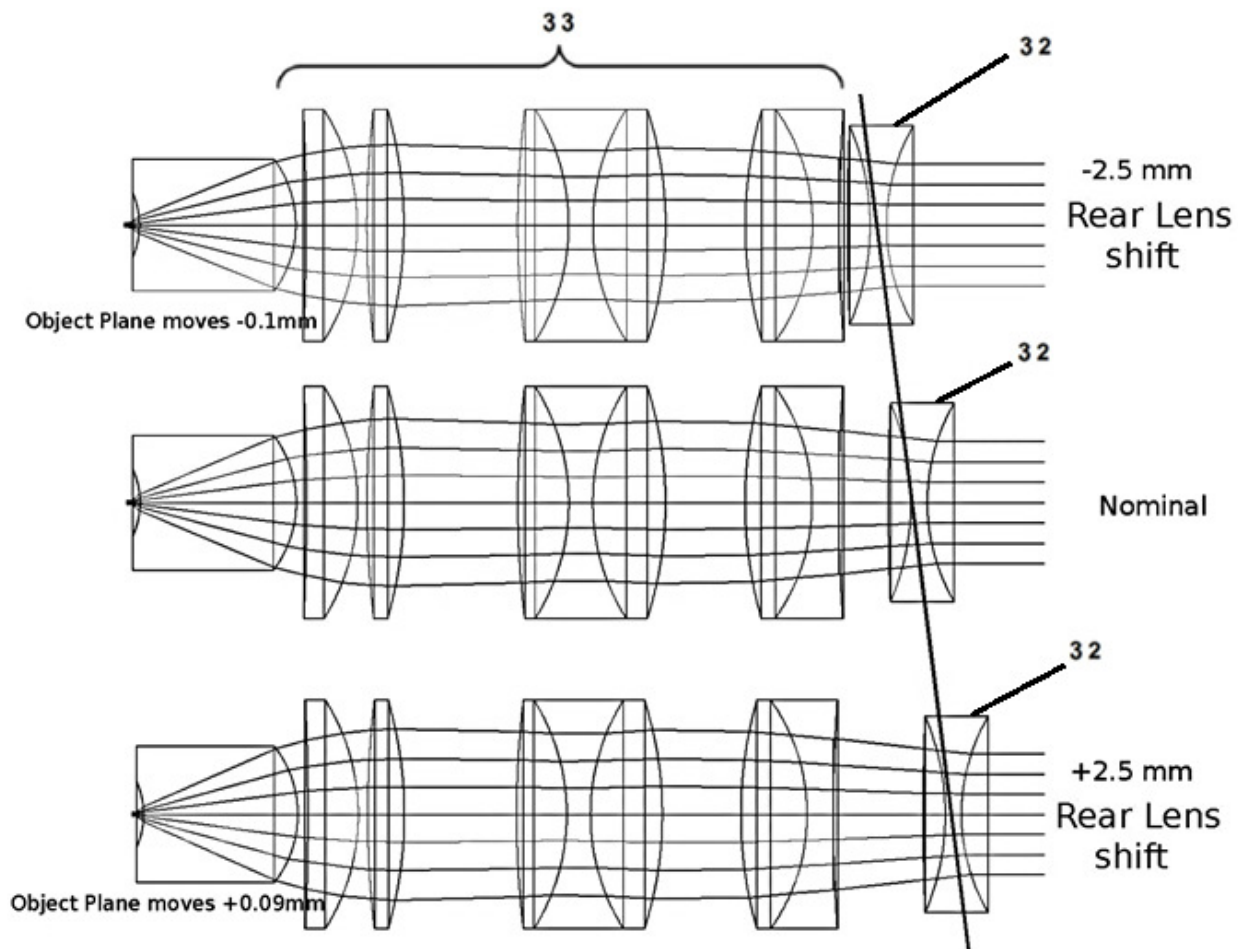


FIGURE 11

LG Docket No. 575086: 122-14 WO  
"Dynamic Microscope with Combined Optical Focus and Aberrational Correction"  
H. Jay MARGOLIS  
Filed November 24, 2015  
Sheet 11 of 13

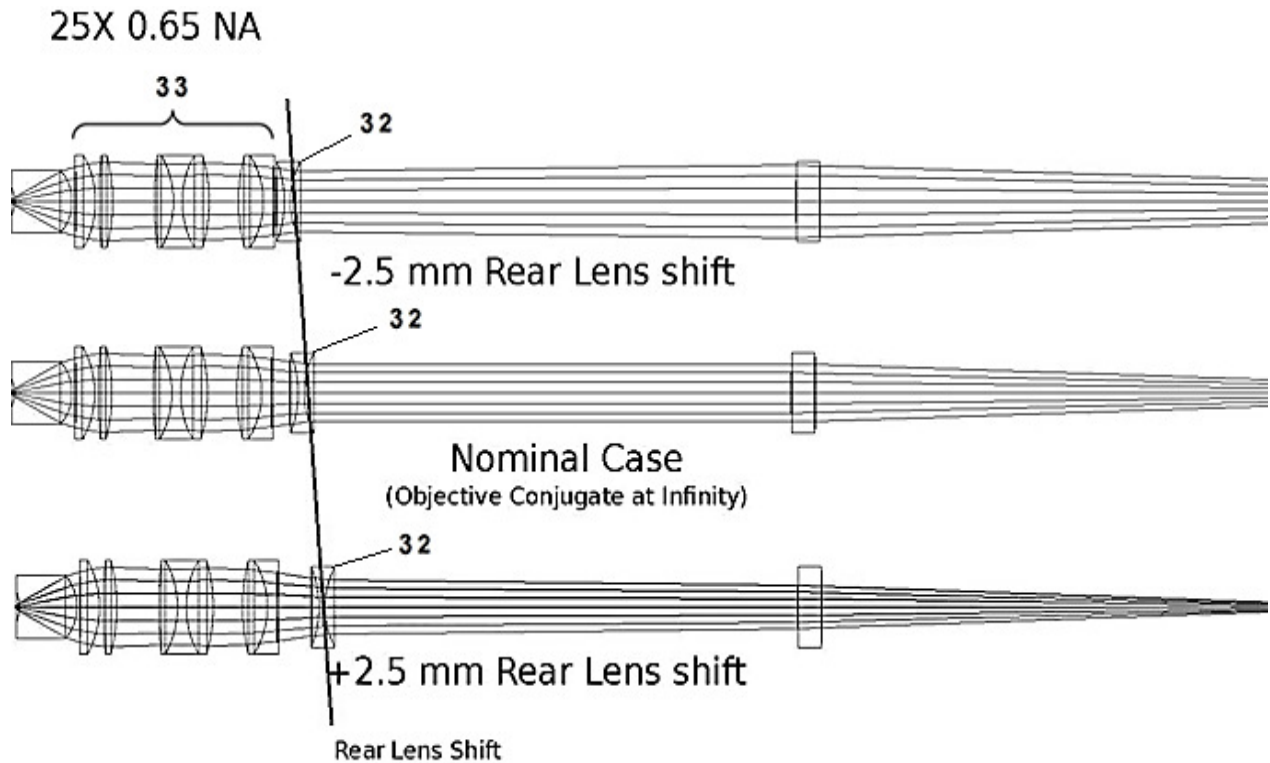
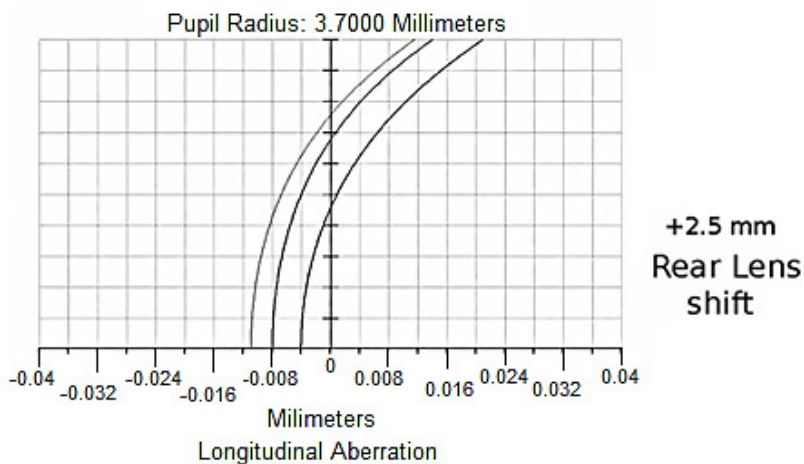
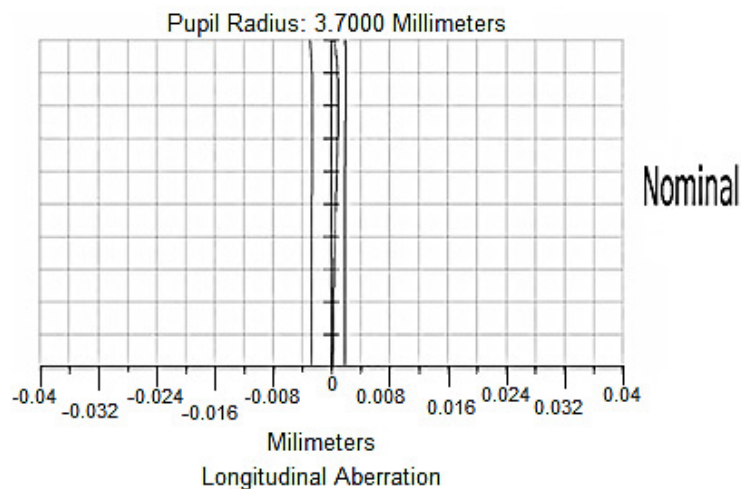
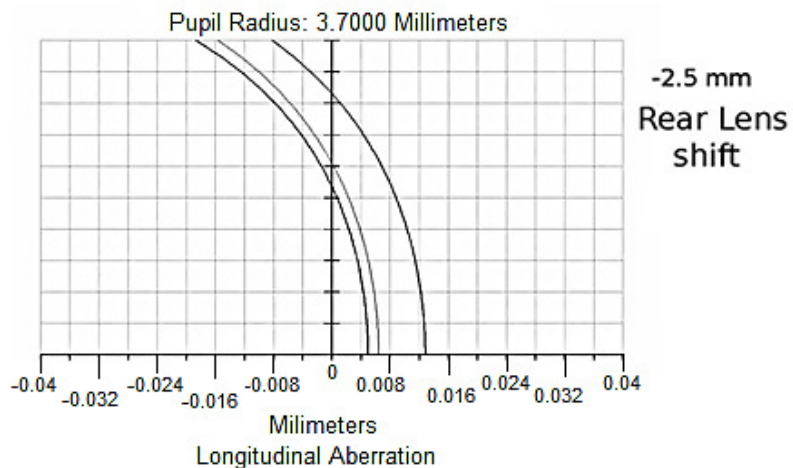


FIGURE 12

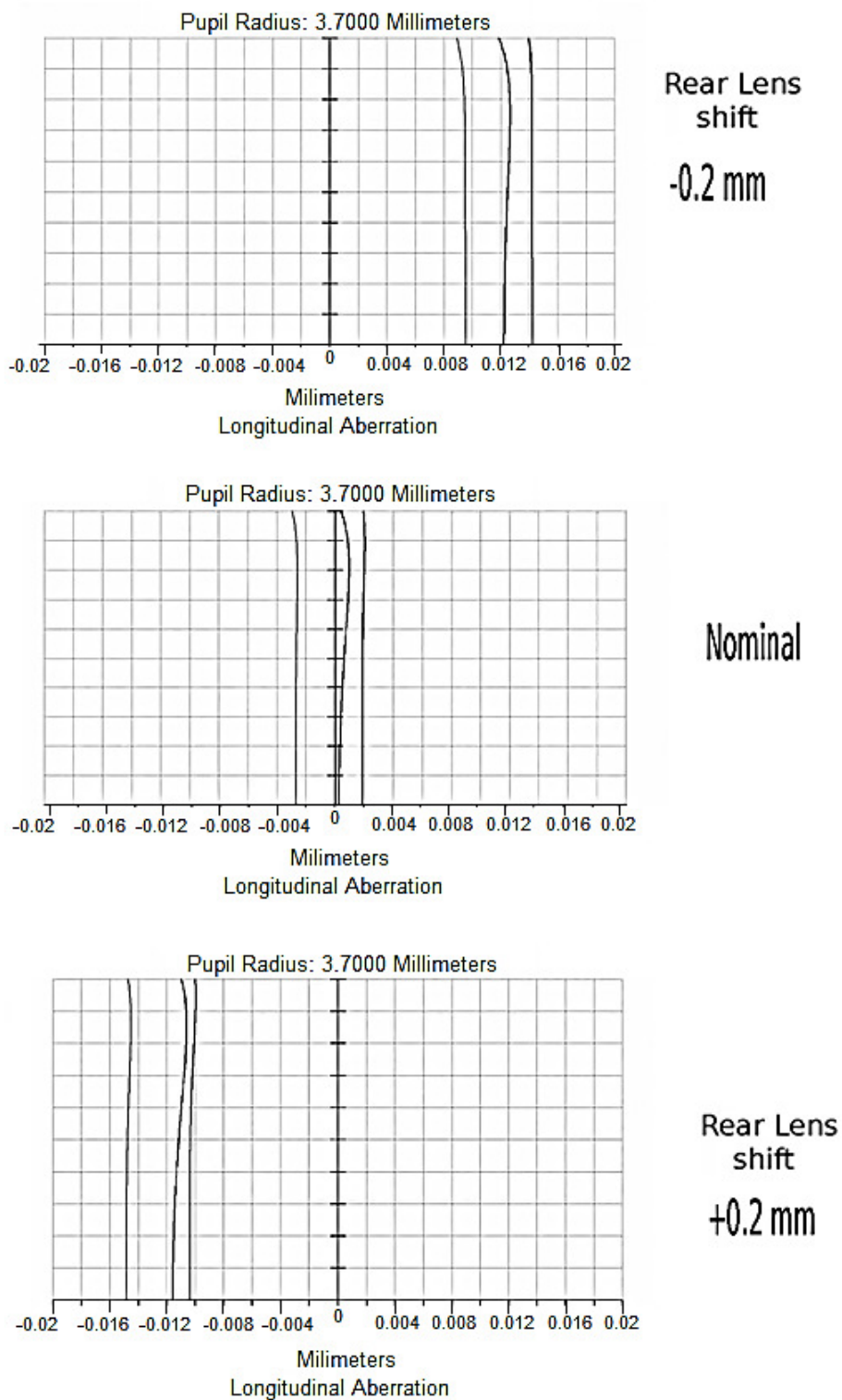
**LG Docket No. 575086: 122-14 WO**  
**“Dynamic Microscope with Combined Optical Focus and Aberrational Correction”**  
**H. Jay MARGOLIS**  
**Filed November 24, 2015**  
**Sheet 12 of 13**



Spherical Aberration Correction introduced by shifting the rear lens

**FIGURE 13**

**LG Docket No. 575086: 122-14 WO**  
**“Dynamic Microscope with Combined Optical Focus and Aberrational Correction”**  
**H. Jay MARGOLIS**  
**Filed November 24, 2015**  
**Sheet 13 of 13**



Front focus shift with movement of rear lens

**FIGURE 14**